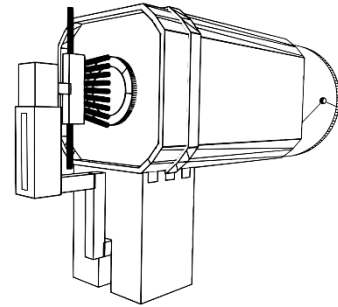


CAMDUSTER Bullet One security camera cleaning robot installation manual - V2203



Congratulations! You are on the right way to maintain(keep) clean the security camera lens.

Before the installation we need to check some fact:

1. What is the type of security camera?
2. What is the type of power supply?
3. What is the security camera diameter?

1. Ensure that the security camera is a bullet type camera. This CAMDUSTER model fits the majority of bullet type security cameras.

2. Check the power supply type, if it is

a. DC power supply

For DC power supply you can use the DC power splitting cable included in the package to power up the camera and the CAMDUSTER camera cleaning robot.

b. POE (power over ethernet) power supply

For POE power supply you can use the POE power converter to provide power for DC power splitting cable, which will power up the camera and the CAMDUSTER camera cleaning robot.

3. Check the security camera diameter, and if it is below 4.5 inch / 11.5 cm, you can start the installation. If the diameter is over these values, you must have the special camera installation kit.

CAMDUSTER

Security camera cleaning robot
Let the lens shine!

The installation

1. Attach the CAMDUSTER camera cleaning robot to the security camera with worm gear clamp provided in the package.

- Set the robot position to expected position on the camera
- Put the protection plastic for the worm gear clamp to prevent the scratching of the camera
- Tighten the screw on worm gear clamp to fix the robot in the desired position



2. Set the length of the camera cleaning robot to perfectly fit the security camera lens / objective and tighten the fixing screw on cleaning robot arm. The best position is when the middle of brush is at middle of the lens.



3. Power up the CAMDUSTER security camera cleaning robot

In case of POE power supply surveillance system, using the POE separator and the DC splitter cable included in the package:

- introduce the RJ45 connector (on the FTP/UTP cable for the security camera) into the POE separator's female part
- introduce the POE separator's male RJ45 plug into the camera RJ45 female connector
- introduce the DC male connector (on POE separator) into the female connector of the DC power splitter cable
- introduce one of the male DC connectors (on the DC power splitter cable) into the security camera's female DC power source connector
- introduce the second male DC connector (on DC power splitter cable) into the CAMDUSTER security camera cleaning robot's female DC power plug



In case of DC power supply surveillance system, using the DC splitter cable included in package:

- introduce the DC male connector (of power supply cable) into the female connector of the DC power splitter cable
- introduce one of the male DC connectors (on DC power splitter cable) into the security camera's female DC power source connector
- introduce the second male DC connector (on DC power splitter cable) into the female DC power plug of the CAMDUSTER security camera cleaning robot



4. Setting up the CAMDUSTER security camera cleaning robot (OPTIONAL Step)

All CAMDUSTER devices come pre-programmed and are set on a default value: one cleaning cycle per day. If this setting matches for your requirements, you can skip this step.

Between the cleaning cycles, the status led will flash according to the number of the current program of the cleaning device. The default value is one flash, program 1.

Program list for CAMDUSTER security camera cleaning robot	
Program 1. (1 led blink)	Once a day
Program 2. (2 led blinks)	Twice a day
Program 3. (3 led blinks)	3 times a day
Program 4. (4 led blinks)	4 times a day
Program 5. (5 led blinks)	5 times a day
Program 6. (6 led blinks)	6 times a day
Program 7. (7 led blinks)	Once a week
Program 8. (8 led blinks)	Demo mode – continuous cleaning / wait between cleaning cycles 5 seconds
Program 9. (9 led blinks)	Sleep mode – the cleaning robot is put on standby, no cleaning cycle will be started

For changing the default values, please follow the next steps:

- after powering up the cleaning robot, wait for the first cycle, wait for the arm to come to the waiting position
- press and hold (about 3 seconds) the programming button, the status led will remain On

CAMDUSTER

Security camera cleaning robot
Let the lens shine!

- after releasing of the programming button, the brush will move for confirmation
- the led will blink according to the number of the current settings program (ex. 3 blinks show that it's currently running on program 3)
- short pressing (about 1 second) the programming button will increase the program (on the increase, the brush will rotate for a short time), the led blinks count will show the new program
- you can repeat the pervious step while the blinks count will show the desired program
- press and hold (about 3 seconds) the programming button to save the desired program. When the led remains On, you can release the button, the successful saving action will be confirmed by a longer brush rotation and a new cleaning cycle

For more information and the installation manual, please visit <https://camduster.com>