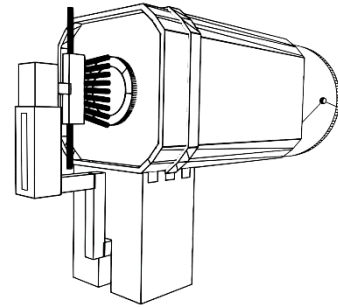


# CAMDUSTER

Security camera cleaning robot

Let the lens shine!

## CAMDUSTER Bullet One security camera cleaning robot product sheet



Technical sheet	
Power input	5v-28v
Power input with POE separator (included in package)	24v-48v
Power consumption	100 mA
Peak power	450 mA
Standby temperature	-40 to 125 °F / -40+50 °C
Operation temperature	37 to 104 °F / +3 to 40 °C
Maximum recommended camera diameter	4.5 inch / 11.5 cm <small>* for larger camera diameter ask for the special solution</small>
Larger camera diameter install kit	Available, optional
Weight oz / g	7.5 Oz / 210 g
Programmable cleaning times	1 - 6 times per day or once per week
Standard DC plug	5.5x2.5
Delayed start time on reboot (random)	3-8 seconds
Worm gear clamp width	0.31 inch / 8 mm
Worm gear clamp length	15.7 inch / 40 cm
Install mode	Worm gear clamp (included in package)
Protection for worm gear clamp	Included
Recommended for	Bullet camera / up to 12 cm diameter
Compatible with	Standard DC plug cameras and IP cameras
Brush type	Natural and nylon - combined

For more information and the installation manual, please visit

<https://camduster.com>